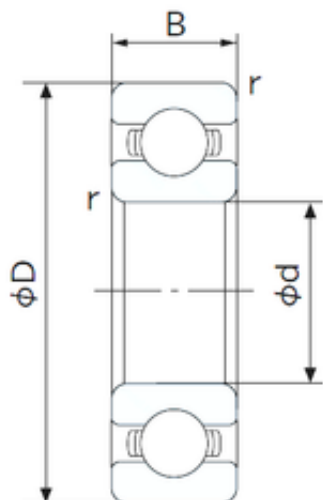




ECU BEARING LTD



SKF NSK NTN Koyo Timken NACHI Deep Groove Ball Bearing 6900 6904 6902 Bearings

Bearing No. 6900

Size	10x22x6 mm
Bore Diameter	10 mm
Outer Diameter	22 mm
Width	6 mm
d	10 mm
D	22 mm
B	6 mm
C	6 mm
r min.	0.3 mm
da min.	12 mm
Da max.	20 mm
ra max.	0.3 mm
Weight	0.009 Kg
Basic dynamic load rating (C)	2,49 kN
Basic static load rating (C0)	1,13 kN
(Grease) Lubrication Speed	33000 r/min
Enclosure	Open
Bore Type	Cylindrical Bore
Configuration	Single Row
Bore Size	10 mm
Outside Diameter	22 mm
Width	6 mm
Fillet Radius/Chamfer	0.3 mm
Dynamic Load Rating	2,490 N
Static Load Rating	1,130 N

6900 Bearing 2D drawings and 3D CAD models



ECU BEARING LTD

Limiting Speed - Grease	33,000 rpm
Limiting Speed - Oil	38,000 rpm
Factor f_0	14.0
Radial Clearance	0.002 to 0.013 mm
d_a (min)	12 mm
D_a (max)	20 mm
r_a (max)	0.3 mm